



LM-MPL-CAW/11000
ASSEMBLY CONVEYOR WITH
ADJUSTABLE WIDTH

YOUR MACHINE PARTNER

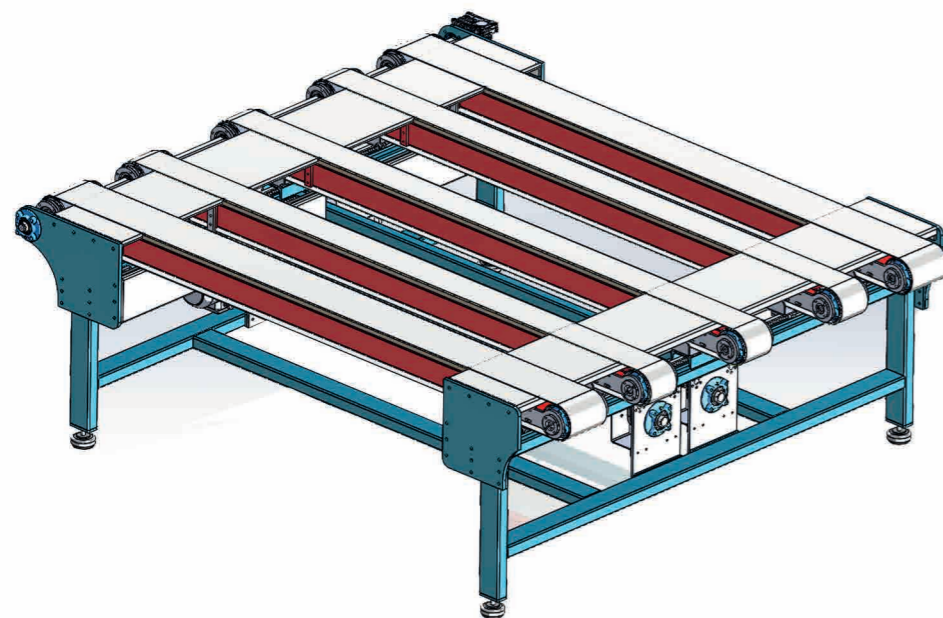
This conveyor is used in both automatic and manual mattress assembly lines. Width of the conveyor line can be adjusted automatically according to the width of the mattress. With its adjustable width, the operator manages the assembling process much more easily. By narrowing or widening the conveyor according to the width of the mattress, the operator can easily perform the assembling process without bending. Thus, it prevents any occupational diseases and provides a better quality and faster assembling process.

APPLICATION AREA

Mattress Industry
Foam Lamination System

MATERIALS

Finished or Semi-Finished Mattress
Foam



GENERAL FEATURES

The assembly conveyor consists of five PVC belt conveyors. Middle conveyor is stable, and the others are dynamic. The conveyor motion system consists of an electric and ball screw. The operator can use a button to adjust the width to the required measurement. With its removable side alignments arms, it provides a proper mattress assembling. Since the bands on the conveyor are made of silicone, it is easy to clean. Two x 0.75 kW electric motors are used on the conveyor.

STANDARD

Silicone Belt
Side Alignment Arms

OPTION

Mattress Flipper Unit

DETAILED EQUIPMENT INFORMATION: SILICONE BELT

Manufacturing the belt from silicone means that any adhesive stuck to the belt can be cleaned off faster and more effectively. This also means that the belt lasts longer as it is not subjected to cleaning chemicals.



TECHNICAL DATA

LM-MPL-CAW/11000

Conveyor Size	W:2350 mm L:2600 mm H:1200mm
Conveyor Weight	1500 kg
Conveyor Height	900 mm
Capacity	1 mattress/45 sec
Max. Mattress Size	W:2000 mm L:2250 H: 500 mm
Min. Mattress Size	W:700 mm L:1800 mm H:100 mm
Max. Mattress Weight	150 kg
Dynamic system	Ball Screw
Electric	380 VAC (III+N+TT)
Air Pressure	6-8 bar
Power	Total:1.5kW
CE Certificate	Yes